

Kazekamome® Remote Hybrid System Illumination Pattern



The RHS has two lighting options :

1. CFL (Compact Fluorescent)
 - standard equipment
 - 20 Watt power consumption
 - 30 and 40 watt tubes are available as options
 - Expected life 2-3 years
2. LED (Light Emitting Diode) Kit
 - optional
 - 40 Watt power consumption
 - Expected life – 15 years or more

It should be noted that the RHS emits very little illumination upward :

- 7.9% for the CFL
- 2.2% for the LED

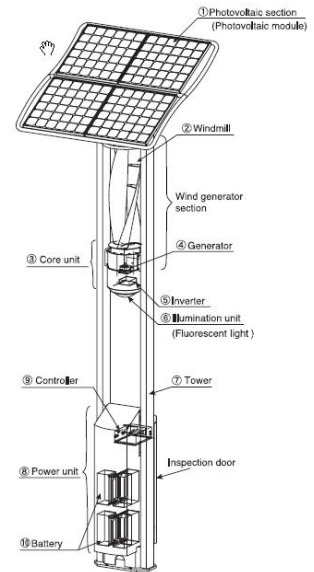
It should also be noted that the light pattern is symmetrical about the base of the RHS.

The light unit is 3.2 metres from the bottom of the base. Normally, the RHS will be mounted on a bollard, so a normal illumination height will be about 4 metres (approx 12 feet) .

For the actual Certified Lighting Test report, please see the documents on the RHS website at : http://www.remotehybridsystem.com/page_21.03.htm

The testing was done using international (Metric) units- conversions are as follows :

- 1 Meter = 39.37 Inches
- 1 Lux = 1 Lumen/ M.Sq. = 0.0929 foot candle



CFL lighting pattern

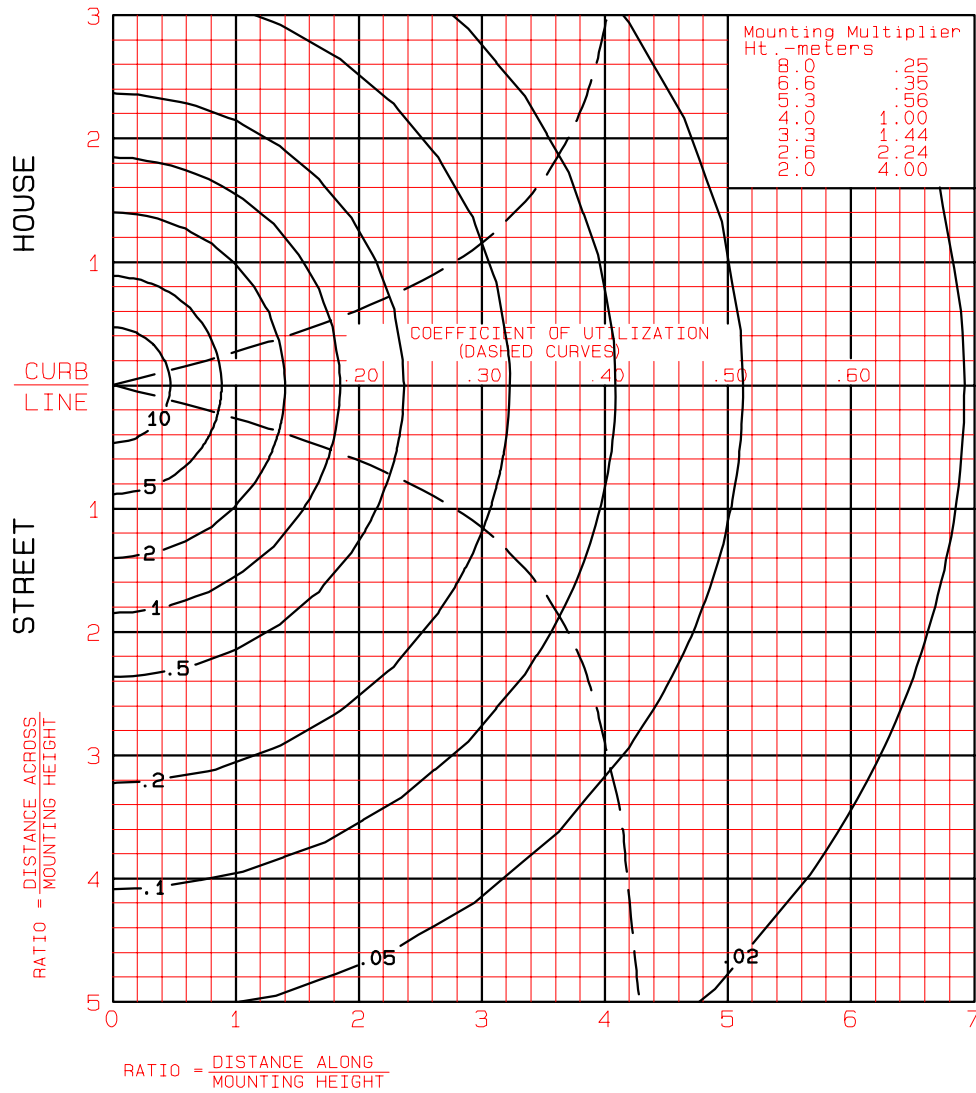
ISOLUX

TEST REPORT NO. B711

HYBRIDYNE-RHS KAZEKAMOME LIGHT MODULE CAT. NO. FY08TWF1362
WITH TRANSLUCENT LENS

ONE 20W T8 CIRCULAR COMPACT FLUORESCENT LAMP. LUMEN OUTPUT = 1027 LMS.
(12.0 VDC, 1.61 ADC)

MOUNTING HEIGHT FOR ISOLUX 4.0 METERS



LED Lighting Pattern

ISOLUX

TEST REPORT NO. B712

HYBRIDYNE-RHS KAZEKAMOME LIGHT MODULE CAT. NO. FY-ACCLED624
 WITH SPECULAR REFLECTOR AND TRANSLUCENT LENS
 40W WHITE LED ARRAY. LUMEN OUTPUT = 1090 LMS.
 (12.0 VDC, 2.93 ADC)

MOUNTING HEIGHT FOR ISOLUX 4.0 METERS

